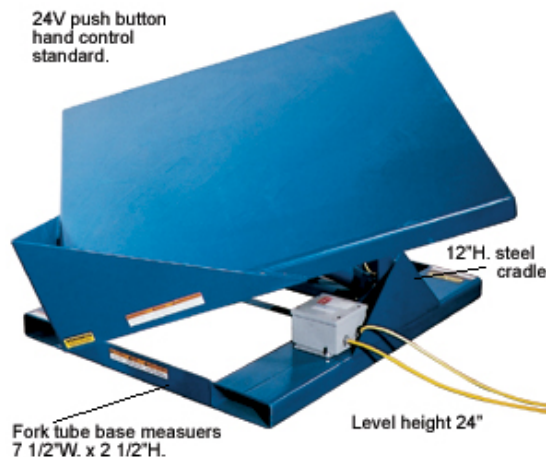


ELECTRIC HYDRAULIC CORNER TILTER

[close](#)

- Tilts 30 degrees - makes many packing jobs easier and faster.
- Tilts pallets, crates, boxes or baskets.

Makes items easier for reach and pull. Smaller items tend to move to corner. Increases efficiency and productivity. Reduces repetitive motion injuries and fatigue. Economical and minimal maintenance. Water resistant push button control. 2 HP motor, 208-230/460 volt 3 phase. FOB Shipping Point.



Click on the Product No(s). below to view further information and order now!

ELECTRIC HYDRAULIC CORNER TILTER					
Product No.	Cap. (lbs.)	Platform W x L x H	Degree of Tilt	Wt. (lbs.)	Price Ea.
HEMC-4242-2	2000	42 x 42 x 24"	30	750	\$2,593.00
HEMC-4242-4	4000	42 x 42 x 24"	30	800	\$2,749.00
HEMC-4848-2	2000	48 x 48 x 24"	30	800	\$2,708.00
HEMC-4848-4	4000	48 x 48 x 24"	30	850	\$2,862.00